

## DX Wall Fan Kit 50Hz/ 60Hz

### Supply / Extract Units – Installation and Maintenance

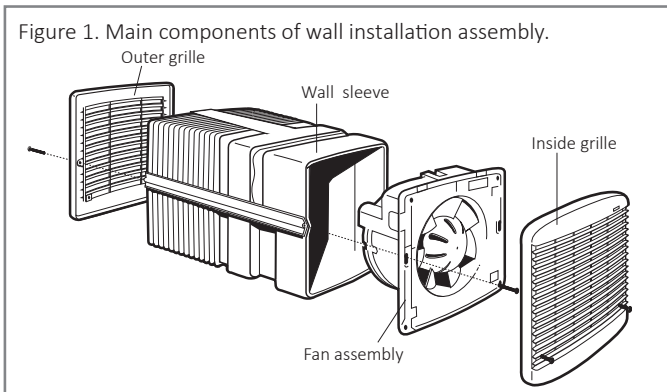
#### 1.0 Safety Information

**IMPORTANT:** Installation or replacement of units or spare parts must be carried out by a qualified electrician and in accordance with IEE or local national wiring regulations.

#### 2.0 Introduction

The Domus DX Wall Fan Kit is available in 6, 9 and 12 inch impeller sizes suitable for supply or extract and can be the heart of a room's automatic ventilation system.

Ensure adequate air replacement for the fan and any fuel burning appliance in the room.



#### 2.1 Switching

Operated via a separately wired 3 amp fused spur (by others) or operated via the optional DX-CON remote controller allowing supply or extract, variable speed and automatic or manual switching of several fans if desired.

#### 2.2 Sensors

Sensors are available as remote units or integral 'plug in' units. They are able to control multiple fans, depending on sensor and fan types. Integral sensors are quick and easy to install and are aesthetically pleasing, whilst remote sensors give the benefit of location close to the pollutant source. Remote sensors can be fitted with an optional security strap to prevent unwanted tampering.

#### 2.3 General

The removable interior grille provides easy access while the external rotor motor makes for simple removal of the push-on impeller for cleaning. Upward angled interior grille vanes shield workings from view and downward sloping external vanes throw off rain. The fan is IP24 splash proof approved with the motor rated at IP44.

All external components are made in soft grey colours from ultra violet stable ABS material so they will blend with most decors and will not fade in sunlight.

##### 2.3.1 Coding For Wall Fan Kits

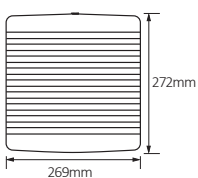
Description	Code*
6 inch Wall Fan Kit Complete	DX6WL
9 inch Wall Fan Kit Complete	DX9WL
12 inch Wall Fan Kit Complete	DX12WL

**Wall Fan Kits are supplied as a complete package with all wall installation parts included.**

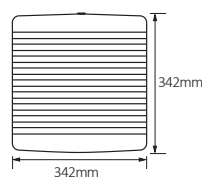
#### 3.0 Dimensions

##### Front view

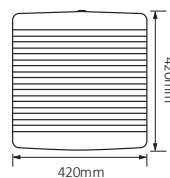
###### DX6WL (6 inch)



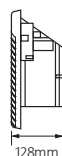
###### DX9WL (9 inch)



###### DX12WL (12 inch)

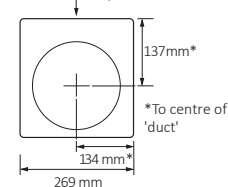


##### Rear view

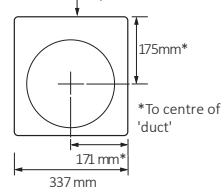


##### Side view

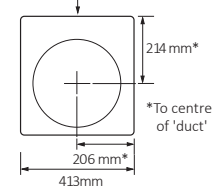
Aperture required  
260 x 260mm sq.  
Cable entry



Aperture required  
330 x 330mm sq.  
Cable entry



Aperture required  
410 x 410mm sq.  
Cable entry



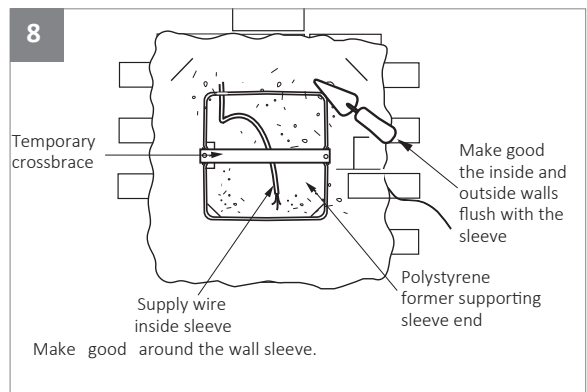
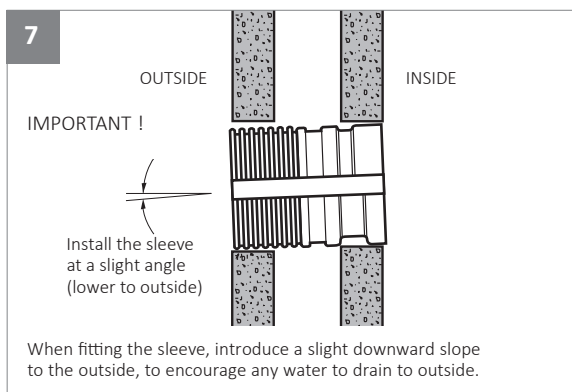
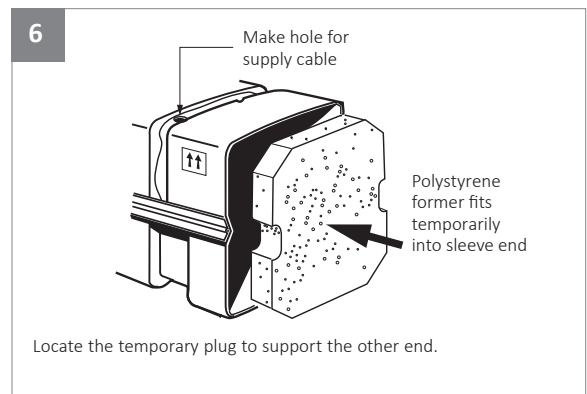
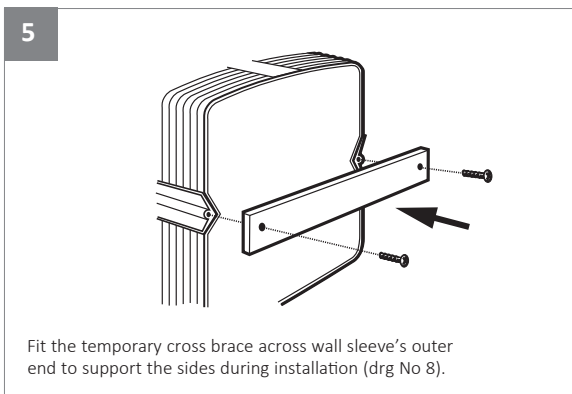
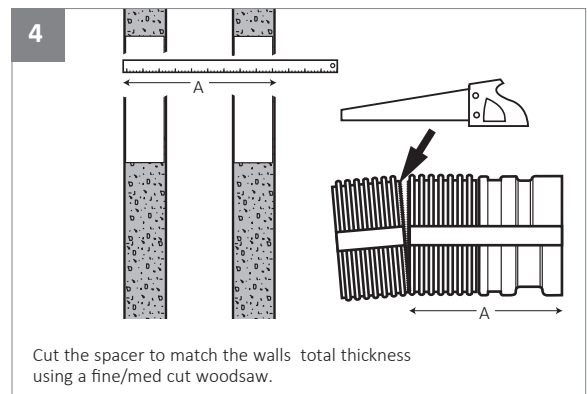
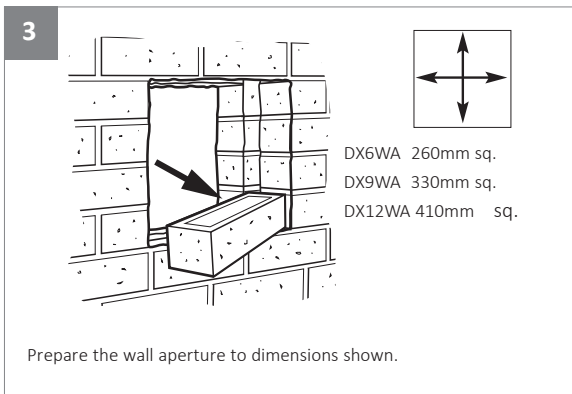
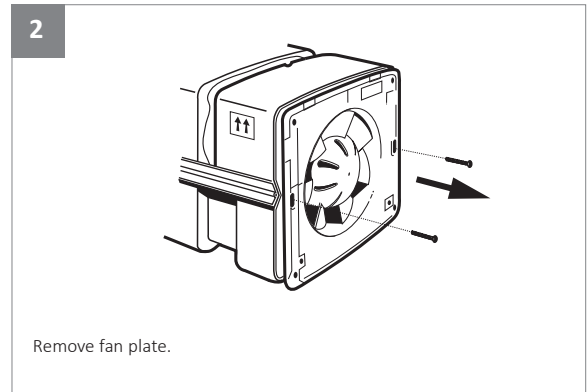
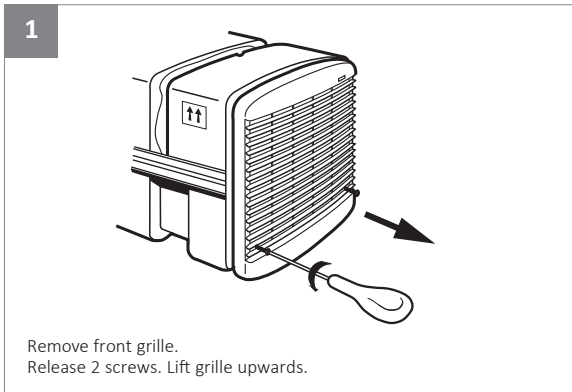
# Installation and Maintenance

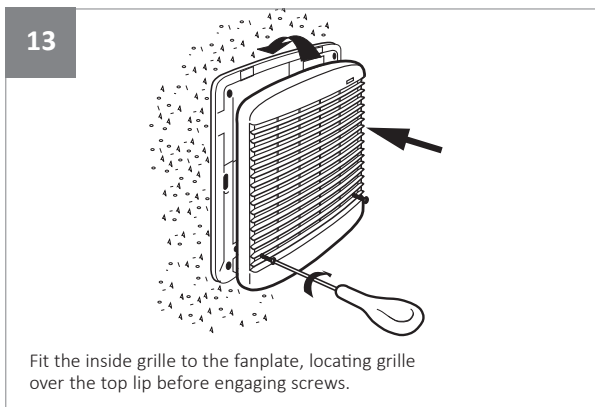
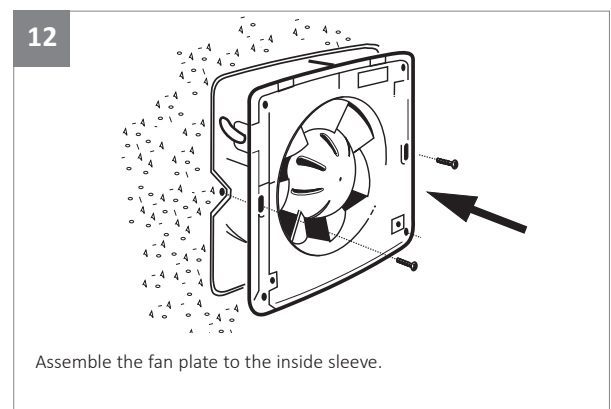
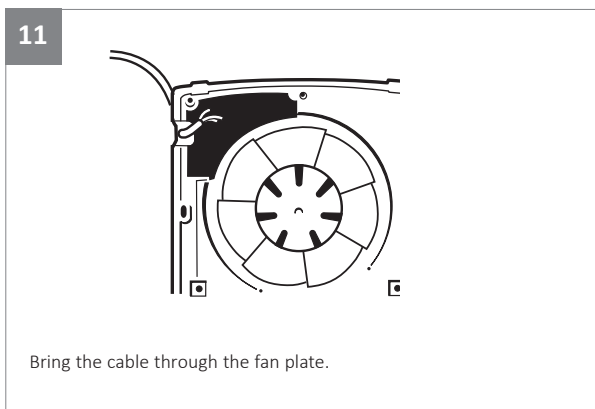
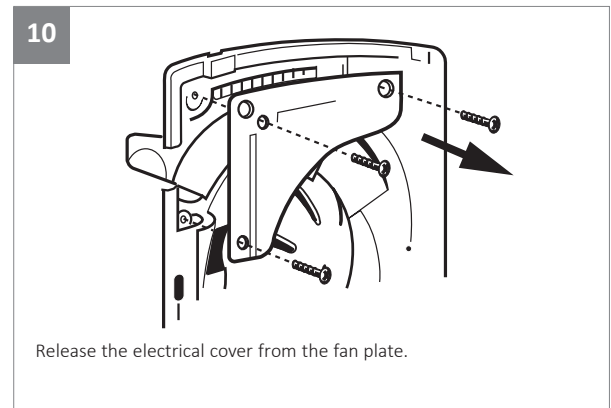
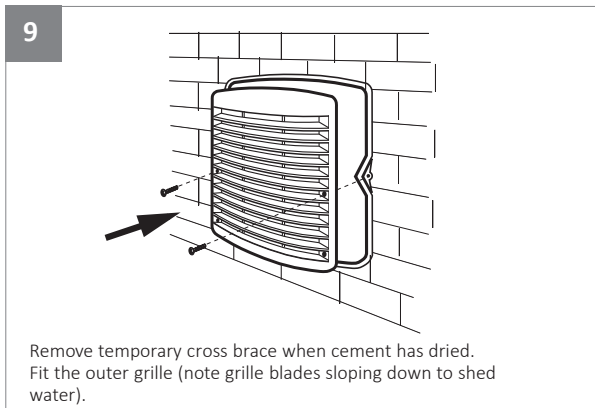
## DX Wall Fan Kits 50Hz/60Hz



### 4.0 Installation

#### 4.1 Installation Of Wall Fan Kits





**IMPORTANT**

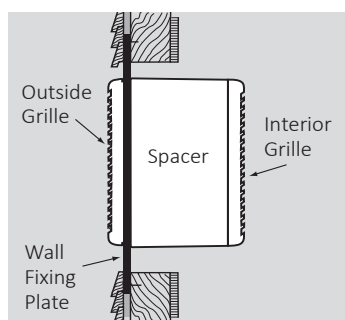
(Shutter Operation DX fans)  
There will be a short delay on start-up and shutdown of approximately 40 seconds, this is normal.

### 4.2 Fitting Ancillaries (Also see page 8)

#### 4.2.1 Thin Wall Installation

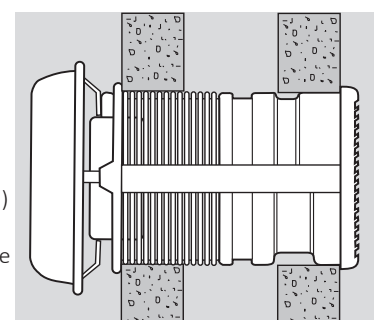
This thin wall application is best covered using a Window Kit. Drawing shows a Wall Fixing Plate fixed to the aperture by screws. The Window Kit clamps together either side of the Wall Fixing Plate.

Min thickness 25mm MDF



#### 4.2.2 Weather Terminal

This wall application shows a Weather Terminal replacing the Outside Grille and is held in position using the grille fixing points. However, longer (75mm) screws are provided. This Terminal is used for exposed site conditions.



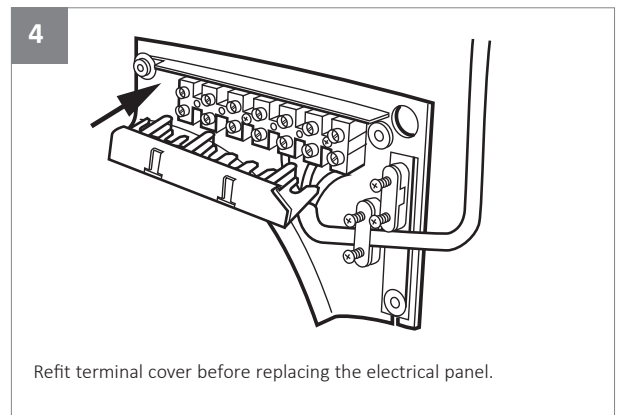
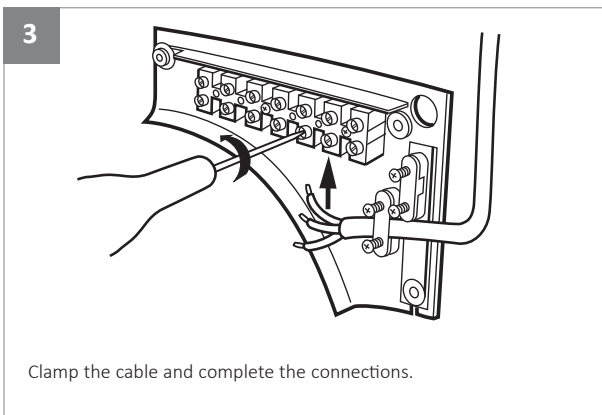
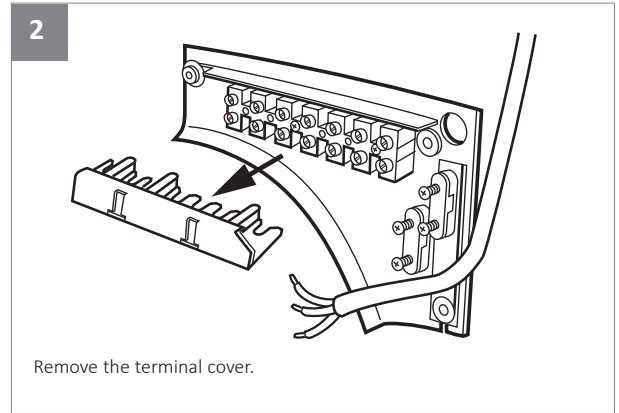
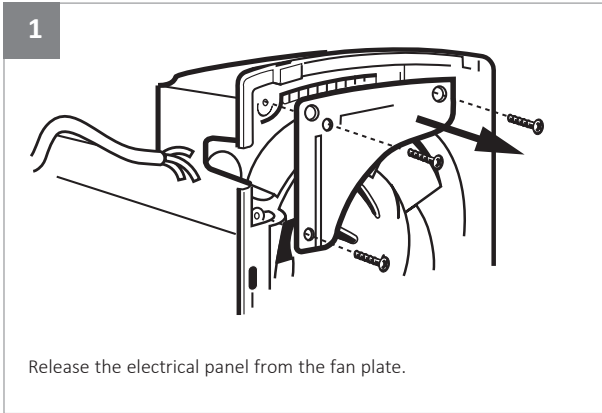
# Installation and Maintenance

## DX Wall Fan Kits 50Hz/60Hz



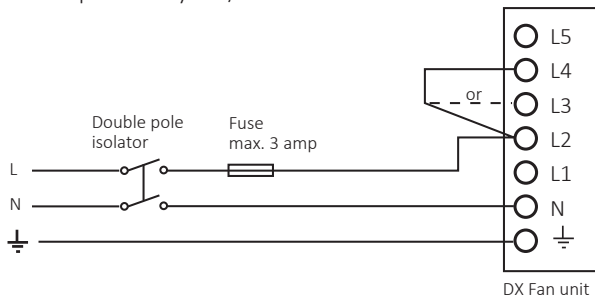
### 5.0 Electrical Installation

Electrical work should be undertaken by a qualified electrician in accordance with the wiring regulations.



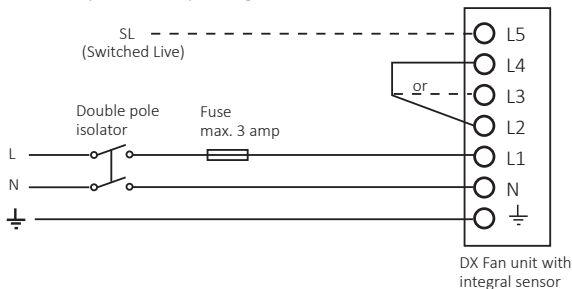
### 5.1 Wiring

#### 5.1.1 Fan Operated By On / Off Switch



Connect link wire between L2 & L4 for extract OR connect link wire between L2 & L3 for supply.

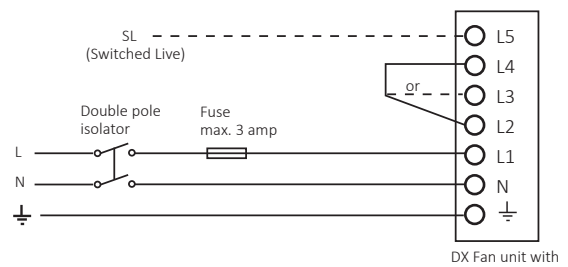
#### 5.1.2 Fan Operated By Integral Sensor



Connect link wire between L2 & L4 for extract OR connect link wire between L2 & L3 for supply. Connect switched live signal to L5 for integral timer module.

#### 5.1.3 Basic Fan Operated By Remote Sensor

##### Fan operated by integral sensor



Connect link wire between L2 & L4 for extract OR connect link wire between L2 & L3 for supply.

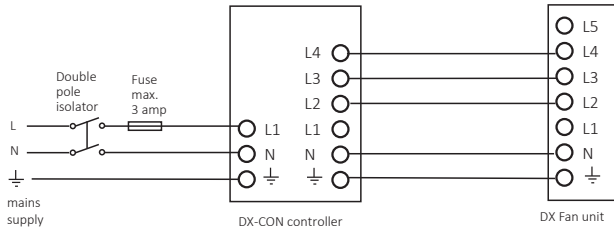
### IMPORTANT

Isolation - Before commencing work, make sure that the unit is electrically isolated from the mains supply.

# Installation and Maintenance

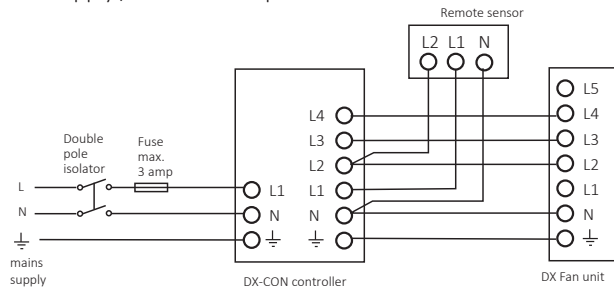
## DX Wall Fan Kits 50Hz/60Hz

### 5.1.4 Supply / Extract Fan Operated via remote DX-CON Control



Remote switch may be set: On/Off, Supply/ Extract, Economy/Std (variable speed), Auto/Manual.

### 5.1.5 Supply / Extract Fan Operated via remote DX-CON Control



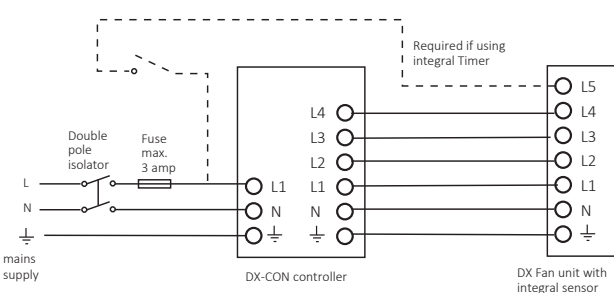
Remote switch may be set: On/Off, Supply/ Extract, Economy/Std. (variable speed), Auto/Manual.

One or more Remote Sensors may be wired in parallel to one DX-CON Control.

Humidity Sensor: DX-RH

### 5.1.6 Supply / Extract Fan Operated via remote DX-CON Control

#### Supply / Extract fan operated via remote DX-CON control and Integral Sensor



Remote switch may be set: On/Off, Supply/ Extract, Economy/ Std. (variable speed), Auto/Manual.

Maximum one Integral Sensor per fan, 6/9/12 denotes unit size identity.

Humidity Sensor: DX-H6/9/12

Passive Infra Red Sensor: DX-PIR6/9/12

Run on Timer: DX-T6/9/12.

A single sensor will switch all fans if more than one fan is being operated by a single DX-CON controller.

#### NOTE: Multi-fan options:

Up to 5 fans (size 6"/9") can be controlled by one DX-CON

Up to 2 fans (size 12") can be controlled by one DX-CON.

Do not mix different fan sizes on the same controller.

### IMPORTANT

(Shutter Operation DX fans)  
There will be a short delay on startup and shutdown of approximately 40 seconds. This is normal.

### 5.2 Unit Consumption & Weight

Model	Input Power (W)		Weight (kg)
	Max.	Economy	
DX6WL supply & extract	38	20	4.7
DX9WL supply & extract	50	37	6.5
DX12WL supply & extract	100	70	9.4

Note figures are for extract only at 50hz.

### 5.3 Electrical Specification

230V ~ 50Hz / 220V ~ 60Hz Class I. Motor thermally protected by overload device. Cable: 1mm max. or min. Fuse: 3 amp (if fan is supplied from a 5A lighting circuit, no local fuse is required).

Note: If 2 x 12 inch fans or 5 x 6 or 9 inch fans are used in the same operating mode in the same room they should all be controlled from the same DX-CON speed control. This avoids the possibility of one fan (if speed controlled at a lower flow rate) being stalled by the other fan(s). Adequate make-up air provision sufficient to provide ventilation in

accordance with building regulations is required in all rooms. This should be checked during commissioning with all fans in the same room running together in all possible configurations.

The automatic shutters, motor bearings should be frequently inspected and maintained to ensure they open fully/operate satisfactorily. Use of an RCD and fused spur with 1A, Bussmann TDC180, BS1362, fuse (Farnell order no: 1123029) for 1 fan or 2A, Bussmann TDC180, BS1362 fuse (Farnell order no: 1123032) for 2 or 3 fans is recommended.

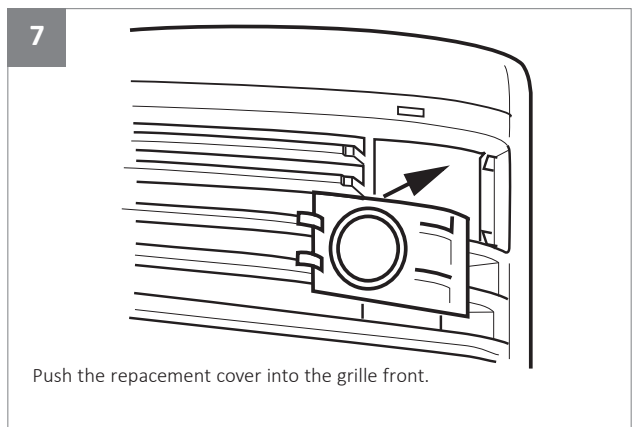
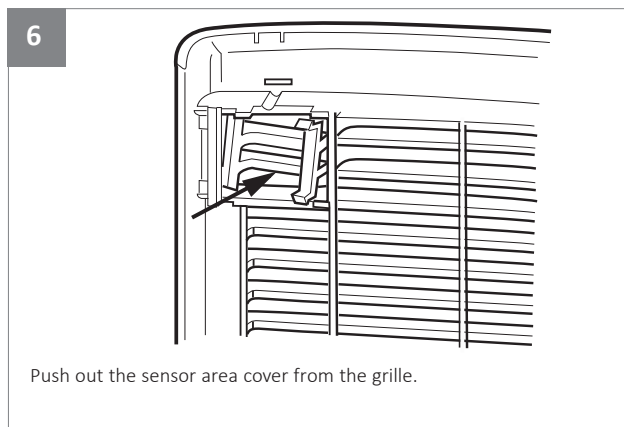
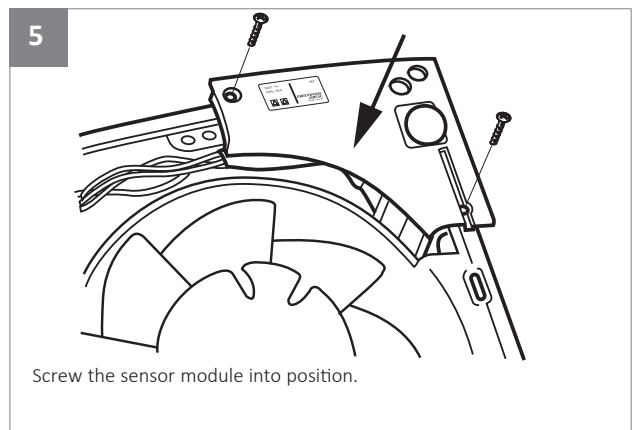
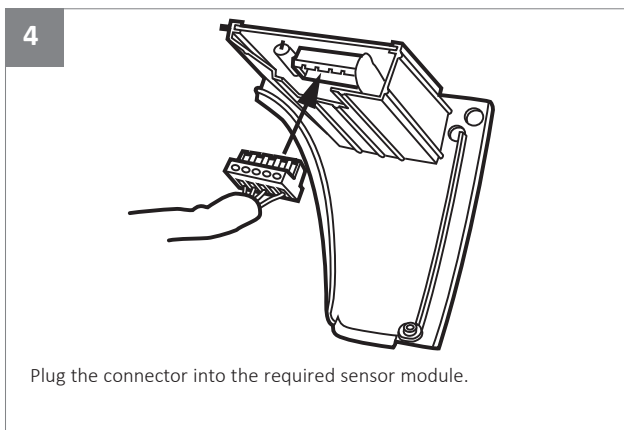
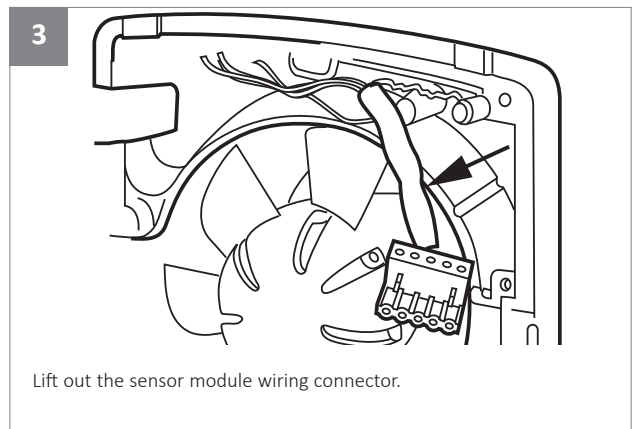
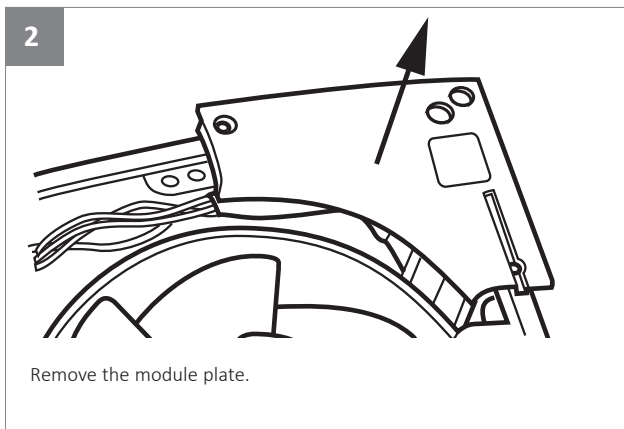
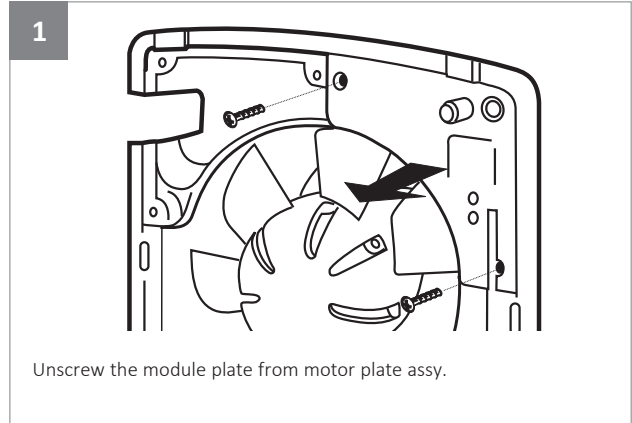
Always confirm airflow direction before commissioning.

# Installation and Maintenance

## DX Wall Fan Kits 50Hz/60Hz

### 5.4 Fitting Integral Sensors (Optional)

Note: Before following the pictorial sequence shown, first remove the fans front cover grille (2 screws). Release the four main corner screws and lift out the motor/fan plate assembly. Remove the electrical cover plate opposite the sensor plate. Follow the pictorial sequence on this page.



# Installation and Maintenance

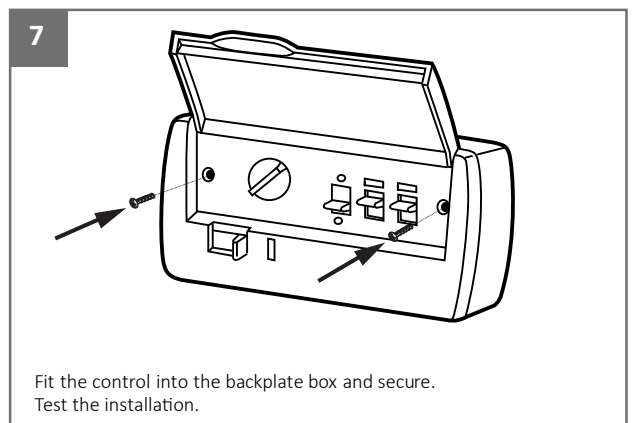
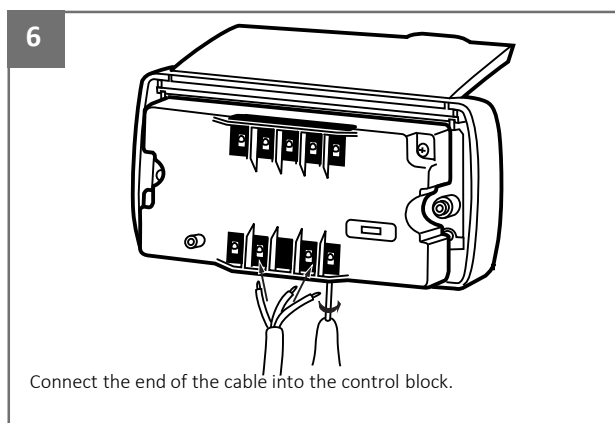
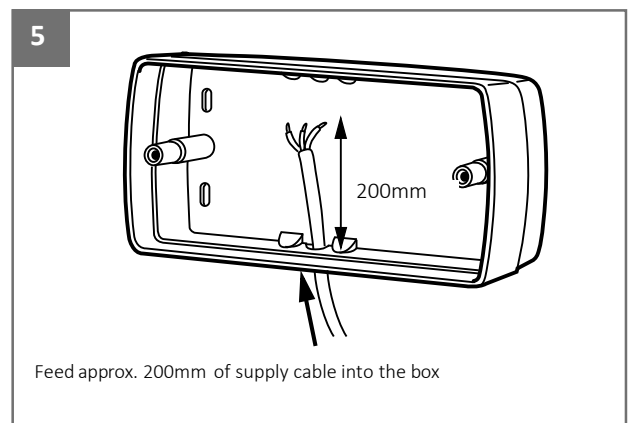
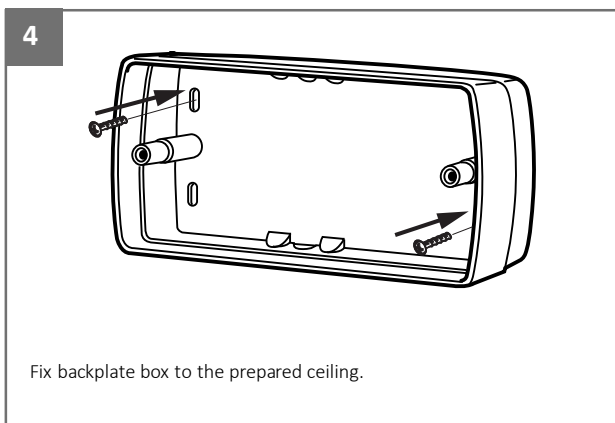
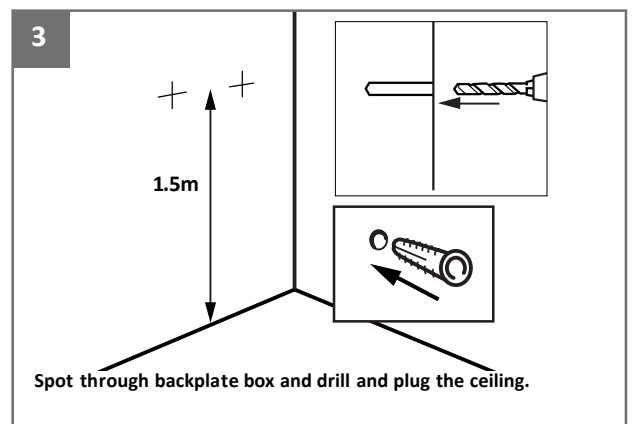
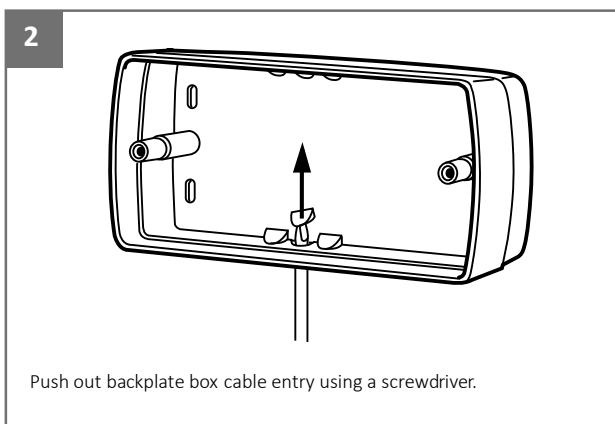
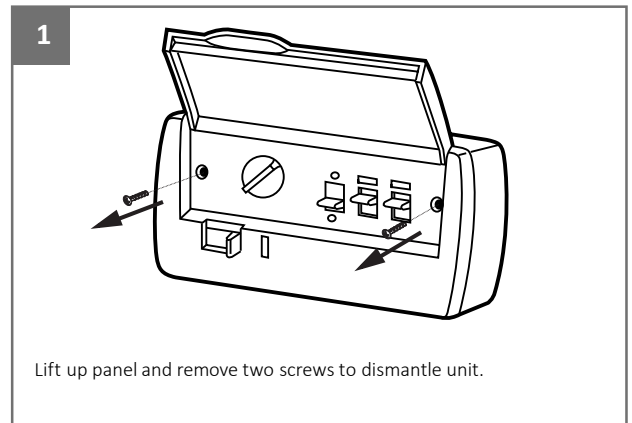
## DX Wall Fan Kits 50Hz/60Hz

### 5.5 Fitting Remote Controller DX-CON or Remote sensors (optional)

The DX-CON Multi Fan Control provides supply or extract, variable speed and automatic or manual switching of several fans if desired, (see note below). The control is best mounted approx 1.5m above the floor. Remote Sensors are available for Humidity only. Remote Sensors should be positioned at least 1.5m above the floor and away from direct heat sources e.g. radiators

**Note:**

- Up to 5 fans (size 6 / 9 inch) can be controlled by one DX-CON.
- Up to 2 fans (size 12 inch) can be controlled by one DX-CON.
- Do not mix different fan sizes on the same controller.



# Installation and Maintenance

## DX Wall Fan Kits 50Hz/60Hz



### 6.0 Ancillaries



#### Weather Terminal

Used for exposed site wall installations, comprising one weather terminal, manufactured from HIPS.

#### Order Code DX-WT6

Dimensions: 360 x 360 x 170mm

#### Order Code DX-WT9

Dimensions: 425 x 425 x 180mm

#### Order Code DX-WT12

Dimensions: 506 x 506 x 185mm

Unit replaces the outside grille and is supplied with installation details.



#### Picture Frame Adaptor

Used for exposed site wall installations, comprising one weather terminal, manufactured from HIPS.

#### Order Code DX-PF6

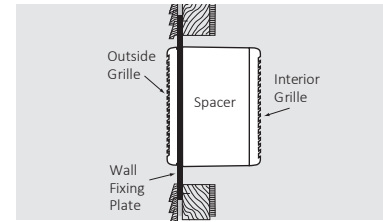
Dimensions: 330 x 315 x 20mm

#### Order Code DX-PF9

Dimensions: 405 x 425 x 20mm

#### Order Code DX-PF12

Dimensions: 495 x 510 x 25mm



#### Thin Wall Applications

For thin wall applications we actually recommend the use of a **Window Fan Kit** used in conjunction with a Wall Fixing Plate.

This thin wall application shows a Wall Fixing Plate fixed to the aperture (4 screws).

The Window Fan Spacer and Outside Grille clamp together either side of the Wall Fixing Plate to support the Fan and Interior Grille.

### 7.0 Maintenance

Periodically, at least once a year or more frequently in case of heavy use, remove the dirt and encrustation from the grille(s) fan impeller and motor casing. Ensure the impeller is not cracked or deformed and is able to rotate freely and without oscillation.

**Do not use any solvents to clean this product.**

### 8.0 Replacement Of Parts

As a manufacturer Domus is aware that time is important. In the event of a breakdown of this equipment, it should be adequately packaged and returned to Domus.

Please telephone Domus before posting your unit. A returns number will be issued to identify your package.

### 9.0 Warranty

The 2 year warranty starts from the day of delivery and includes parts and labour for the first year. The remaining period covers replacement parts only.

This warranty is void if the equipment is modified without authorisation, is incorrectly applied, misused, disassembled, or not installed, commissioned and maintained in accordance with the details contained in this manual and general good practice.

Installation or replacement of units or spare parts must be carried out by a qualified or Domus approved service engineer/ electrician and in accordance with IEE or local national wiring regulations.

The product warranty applies to the UK mainland and in accordance with Clause 14 of our Conditions of Sale.

### 10.0 After Sales Enquiries

For technical assistance or further product information, including spare parts and replacement components, please contact the After Sales Department.

Technical or commercial considerations may, from time to time, make it necessary to alter the design, performance and dimensions of equipment and the right is reserved to make such changes without prior notice.



#### Domus Ventilation

Block C  
Caerphilly Business Park  
Van Road  
Caerphilly  
CF83 3ED

Tel: +44 (0)3443 715523

Fax: +44 (0)3443 715524

Email: vent.technical@domusventilation.co.uk

www.domusventilation.co.uk

LAB1349R May 2018

