

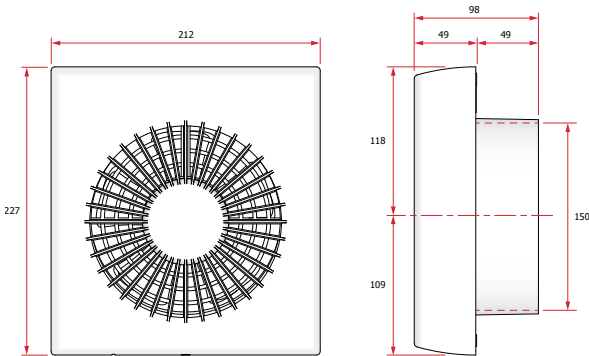
DKF150

150mm (6") Intermittent axial range

Provides effective ventilation to comply with current building regulation standards.



Dimensions (mm)

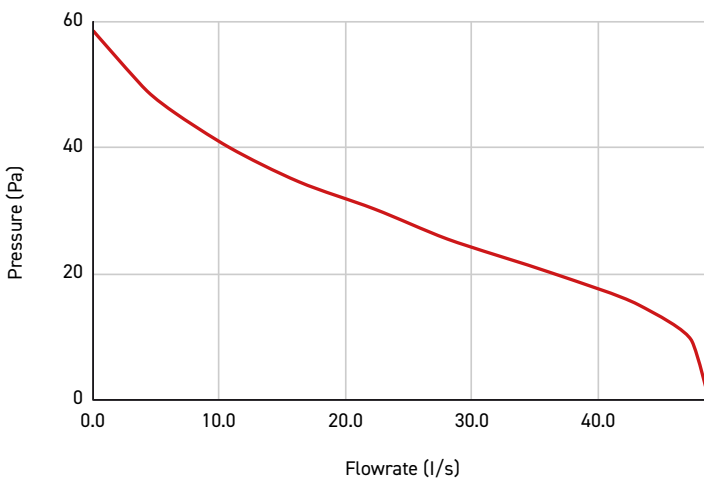


Code	Description
DKF150B	Basic Fan
DKF150-T	Timer Control
DKF150-HT	Humidistat and Timer Control

SOUND PERFORMANCE

Unit	Duty (l/s)	Frequency Hz									dBA @3m
		63	125	250	500	1k	2k	4k	8k	LwA	
DFK150	48.8	47	49	60	55	54	54	47	37	59	39

Performance



TECHNICAL DATA

Description	Value	Units
Max Extract Volume	48.8	(l/s)
Max Extract Volume	176	(m ³ /H)
Max Pressure	59	(Pa)
Supply Frequency	50	(Hz)
Specific Fan Power	0.38	(W/l/s)
Max Power	20.6	(W)
Max Sound Level	39	dB(A) @3m
Weight	1	(kg)
IP Rating	X4	N/A
Max Operating Temperature	40	(°C)
Wall-Fit Hole Diameter	155	(mm)
Warranty	2	Years

**YOUR
VENTILATION
SPECIALIST**

03443 715 523

www.domusventilation.co.uk



For compatible ducting kits please refer to the "Kits" section in the Domus Specification Guide.

©Domus Ventilation 2024. Issue date 2024-08.

The information contained in this publication is correct at the time of print and is subject to change. Please visit our website for the latest information: www.domusventilation.co.uk.

Domus Ventilation | Western Industrial Estate, Caerphilly, CF83 1NA, UK.